

# SXT Lite5 ac

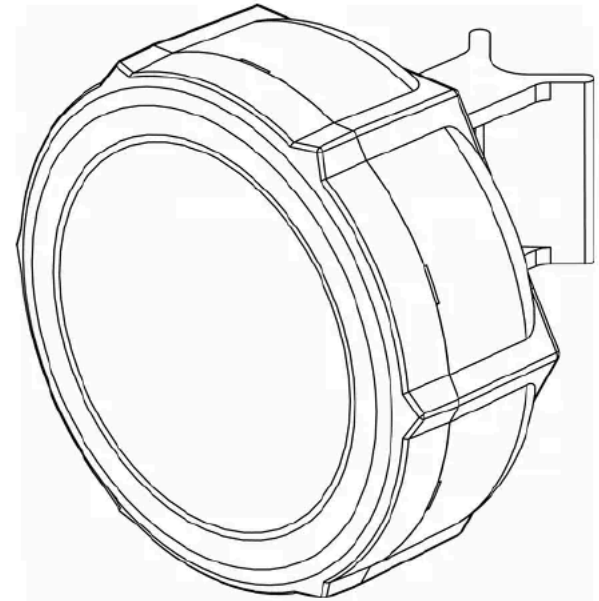
---

## Quick Setup Guide and Warranty Information

The SXT Lite5 ac comes as a complete set, and includes a built in 802.11ac dual chain wireless device, and a dual polarization 16dBi , 28 degree antenna. It has one Ethernet connector which supports MDI-X auto detection.

### First use

1. Connect an Ethernet cable to the port behind the small plastic door
2. The SXT accepts 24V PoE from the supplied PoE injector
3. The default IP address from LAN is 192.168.88.1 for configuration
4. Username is **admin** and there is no password



### Powering

The board accepts powering from the Ethernet port (Passive PoE) 9-30V DC. Package contains a 24V adapter and a passive PoE injector.

### Booting process

**RouterOS is the operating system of all RouterBOARD routers. Please see detailed configuration guide here: <http://wiki.mikrotik.com/wiki/Category:Manual>**

This device doesn't come fitted with a Serial Port connector, so initial connection has to be done via the Ethernet cable, using the MikroTik Winbox utility. Winbox should be used to connect to the default IP address of **192.168.88.1** with the username **admin** and no password.

In case IP connection is not available, Winbox can also be used to connect to the MAC address of the device. More information here: [http://wiki.mikrotik.com/wiki/First\\_time\\_startup](http://wiki.mikrotik.com/wiki/First_time_startup)

In case you wish to boot the device from network, for example to use MikroTik Netinstall, hold the RESET button of the device when starting it until the LED light turns off (behind the small door), and SXT will start to look for Netinstall servers.

### Management wireless

The SXT Lite5 ac has a secondary wireless interface only for management purposes. It is a 2GHz 802.11b/g/n interface attached to an internal 1.5dBi antenna for low range connection. By default, this interface is disabled. You need to connect to the device and enable the second wlan interface with your own desired configuration.

### Mounting

With the clip pointed forward, slide the mounting bracket into the rail on the bottom of the case, until the clip clicks into place. The SXT comes bundled with a hose clamp - guide the clamp through the opening in the bracket



