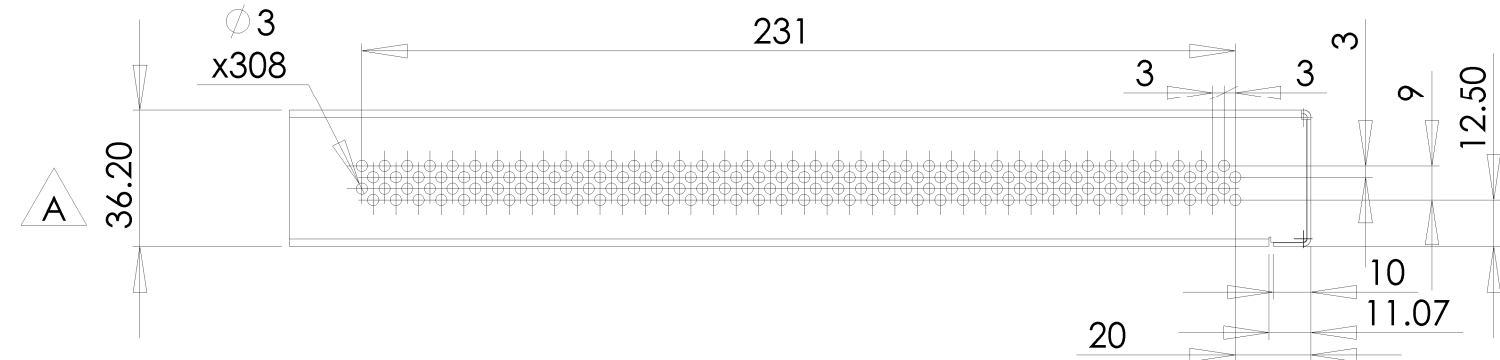
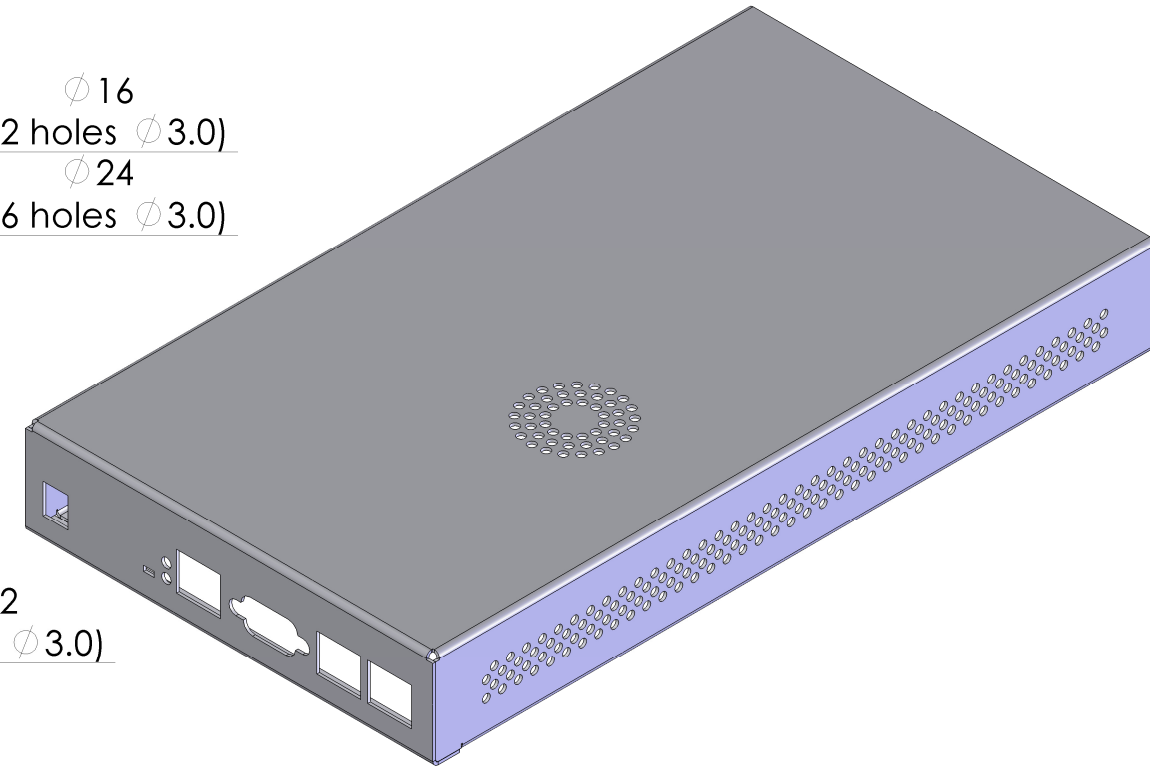
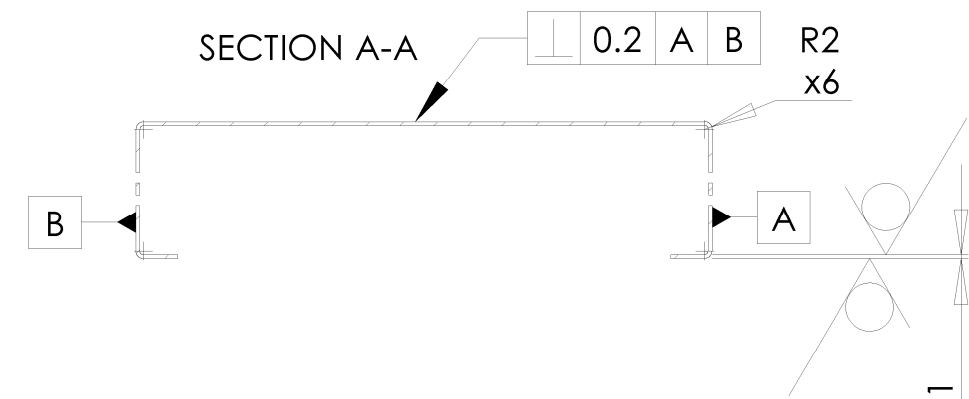
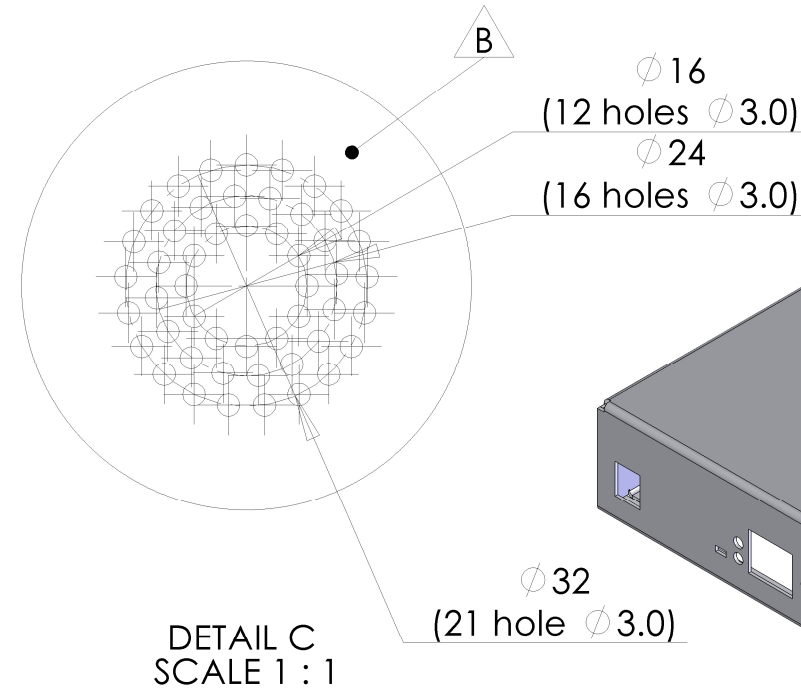


DETAIL B
SCALE 1 : 1



REVISIONS			
REV.	DESCRIPTION	DATE	INIT
A	height increased from 31.20 to 36.20 mm	28.07.09	
B	vent holes on top added	28.07.09	

1. Unspecified R ≤ 1		
2. Unspecified tolerances: exopt p.3: DIN7168/FINE		
Tolerance		External: -IT12
Nominal	IT12	Internal: +IT12
		Others: $\pm IT12/2$
>	\leq	3. Hole coordinates with unspecified tolerances
6	30	Hole pattern $\oplus \varnothing 0,3$ for all coordinative dim-s;
30	120	countersunks - $\oplus \varnothing 0,1$
120	315	
315	1000	
1000	2000	

Do not scale drawing			Finish: anodizing, black	Scale 1:2	Mass: NN
			Date: 28.07.09	Name: Veiders	Material: AlMg3
		Description: RB800 case cover		Drawing code: cover_RB600_Indoor_R4	
				A3	
				sheet 1 of 1	
				Printed: 28.07.09	