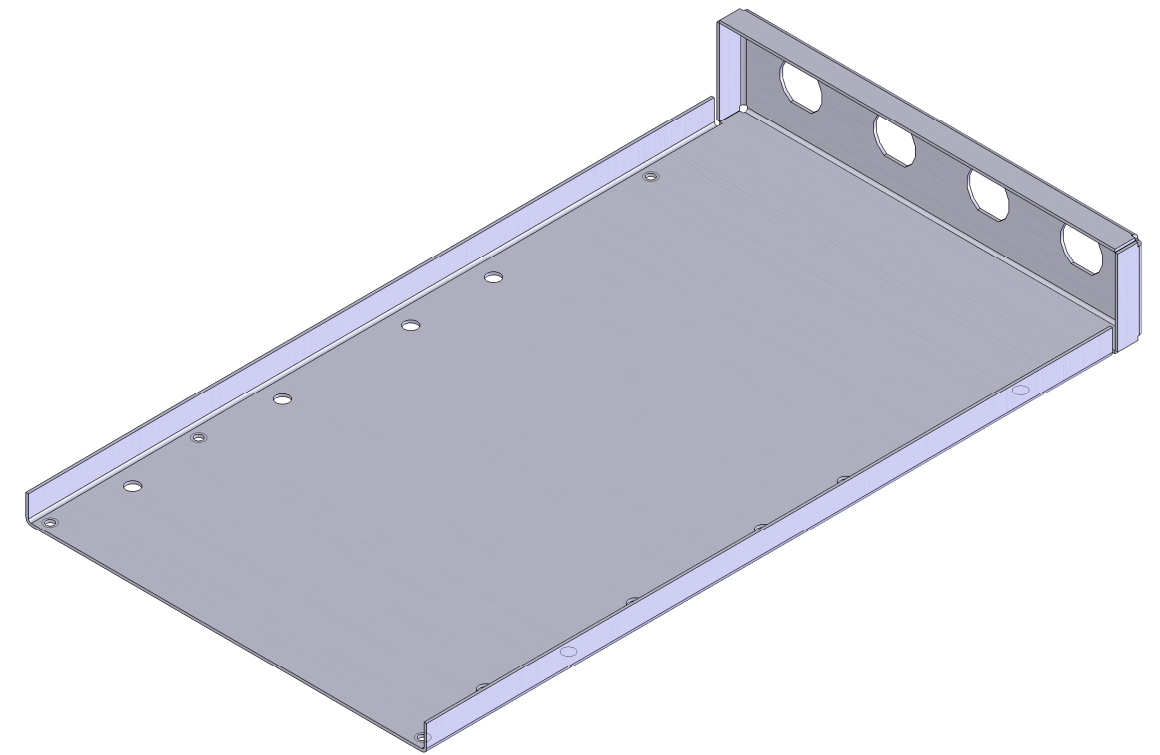


Please use M3x7mm spacers!!!



REVISIONS		
REV.	DESCRIPTION	DATE
A	Changed dimension from 237,52 to 237,00	2008.02.22.
B	Changed dimension from 181,52 to 181,00	2008.02.22.
C	Changed dimension form 133,52 to 133,00	2008.02.22.
D	Changed dimension from 102,52 to 102,00	2008.02.22.
E	small holes removed	28.07.09
F	height increased from 29.00 to 34.00	28.07.09
G	height increased from 27.93 to 32.00	28.07.09

1. Unspecified R			≤ 1
2. Unspecified tolerances: exopt p.3:			DIN7168/FINE
Tolerance			
Nominal		IT12	
>	≤		
6	30	0.1	
30	120	0.3	
120	315	0.4	
315	1000	0.6	
1000	2000	1.0	
External:			-IT12
Internal:			+IT12
Others:			±IT12/2
3. Hole coordinates with unspecified tolerances			
Hole pattern		⊕	∅0,3 for all coordinative dim-s;
countersunks -		⊕	∅0,1

Do not scale drawing			Finish: anodizing, black	Scale 1:1	Mass:
				Material: AlMg3	Description: RB800 Indoor case (base)
Date	Name	Description:			
Drawn. 28.07.09	Veiders	RB600_Indoor_ALN R5			
Check.		Drawing code:		A3	
Approv.				sheet 1 of 1	
				Printed: 28.07.09	